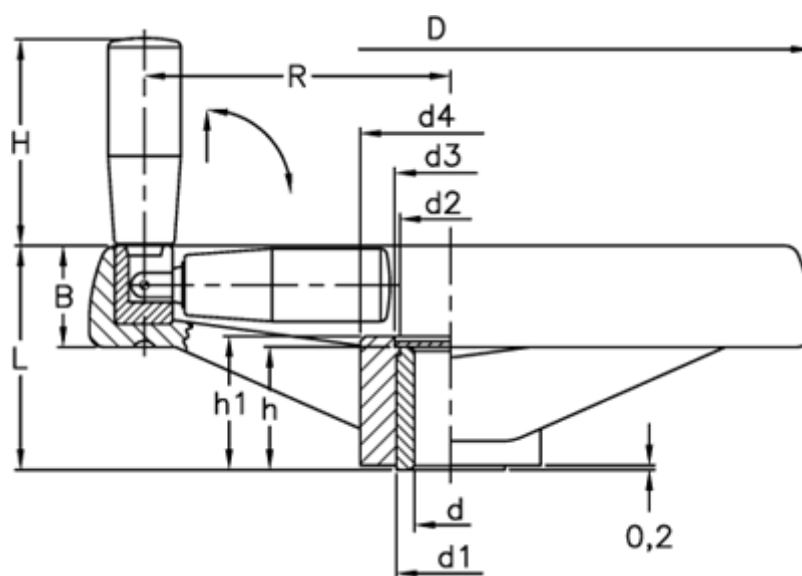


Article number: 2301078931R

Description: E+G Handwheel  
VRTP.250+IR-A20

## Measures



B	= 32	H	= 90
C (N m)	= 420	h	= 38
D	= 249	h1	= 40
d1	= 35	L	= 70
d2	= 33	L (J)	= 28
d3	= 34	R	= 105
d4	= 59		
d H7	= 20		